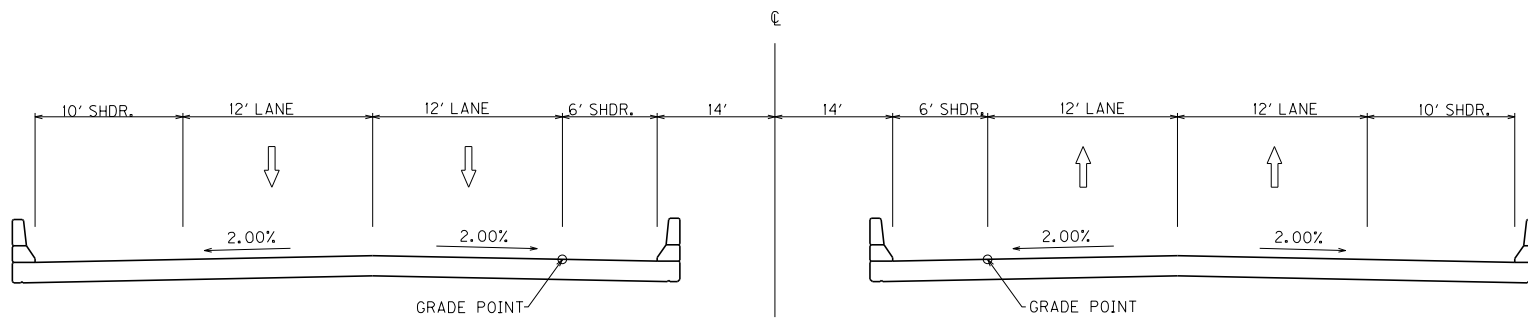


TYPICAL SECTIONS

MOUNTAIN PARKWAY



**NORMAL SECTION
TWIN BRIDGE**